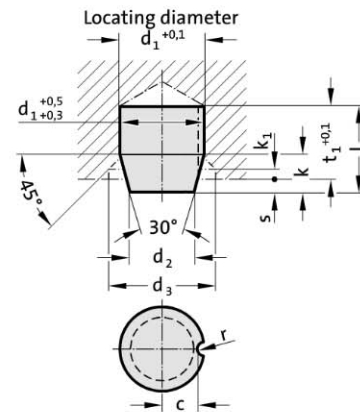


## Compression Pad Shedder insert



**Material:**  
FIBROFLEX®  
Hardness 90 Shore A

2471.6.

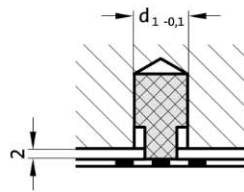


### 2471.6. Compression Pad

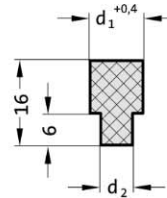
Order No	d <sub>1</sub>	d <sub>2</sub>	d <sub>3</sub>	l	k	k <sub>1</sub>	t <sub>1</sub>	r	c	Compressive force [N]	at s
2471.6.006	6	3.6	10	9.5	4.5	1	8	-	-	100	1.5
2471.6.010	10	6	16	15.5	7.5	2	13	1	4	450	2.5
2471.6.016	16	9.5	22	25	12	5	21	1.5	6.5	1500	4
2471.6.024	24	18	32	25	10	2	21	2	10	3000	4
2471.6.030	30	20	38	35	19	10	30	2.5	12.5	3000	5
2471.6.032	32	24	40	32	14	4	26	3	13	12000	6
2471.6.039	39.5	30	50	40	16	4.75	34	3	16.8	25000	6



Mounting example



247.6.



### Description:

Instead of conventional shedder pins and their springs as well as set screws, FIBROFLEX® Shedder Inserts are simply pressed into matching holes (see mounting example).

### Material:

FIBROFLEX®  
Hardness 90 Shore A

### 247.6. Shedder insert

Order No	d <sub>1</sub>	d <sub>2</sub>	Stripping force [daN]
247.6.008.016	8	4	20
247.6.010.016	10	6	25
247.6.012.016	12	8	30

